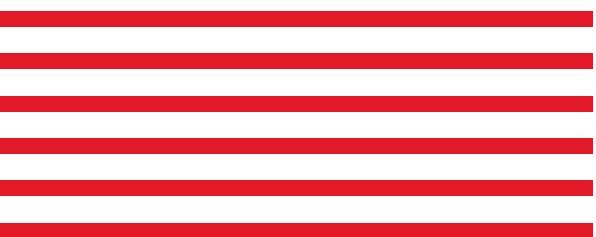


BATTENS



FORTIS LENTA EKO

IP65 SMD LED BATTEN

REPLACING TRADITIONAL FLUORESCENT TUBES BATTENS



APPLICATIONS

Our IP65 LED SMD batten is a direct replacement for traditional tubes battens. This SMD batten is widely used in retail stores, workshops, car parks, indoor and other door public areas and other similar places.

FEATURES & BENEFITS

- IP65 IK06, unique design for tough environment.
- Ultra-high luminous efficacy up to 100lm/w to provide enough brightness with very low power consumption.
- High quality PC diffuser ensures ultimate light uniformity.

	20W	40W	60W
--	-----	-----	-----

GENERAL

Model Number	Fortis-LENTA-EKO-20W-600	Fortis-LENTA-EKO-40W-1200	Fortis-LENTA-EKO-60W-1500
Dimensions (mm)	665x130x88	1265x130x88	1565x130x88
Weight(Kg)	1.48KG	1.9KG	2.6KG
Category	IP65 SMD Batten		
Lifetime (L70)	Reported: >52,000 hrs		
IP & IK Ratings	IP65 & IK06		
Warranty	5 years		
Cable & Plug	NO Cable & Plug		
Storage Temperature	-20°C ~ 60°C		
Operating Temperature	-10°C ~ 45°C		

OPTICAL

Beam Angle	110°		
Lumens	2000	4000	6000
LED Type	EDISON SMD 2835		
No. of LED's	144	256	360
LED Colour Temp	3000K/4000K/5000K		
CRI	>80		

ELECTRICAL

Driver Type	Internal littil OPIO® C-Series Driver		
Input Voltage	220-240 VAC, 50/60 Hz		
Power Factor	>0.9		
Inrush Current	N/A	N/A	N/A
Output Voltage	54VDC	120VDC	175VDC
Output Current	350mA	350mA	350mA
Dimming	Non-Dimmable		



AS/NZS 60598.1
AS/NZS 60598.2.1

ISO 9001



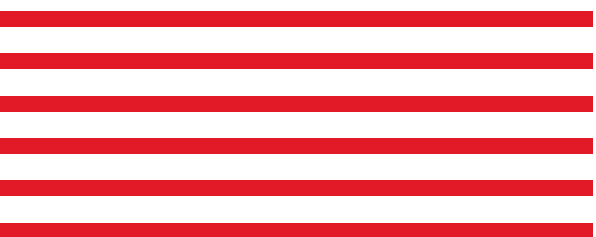
SKU

ORDERING

Fortis-LENTA-EKO-20W-600	9343907004705
Fortis-LENTA-EKO-40W-1200	9343907004706
Fortis-LENTA-EKO-60W-1500	9343907004707



BATTENS

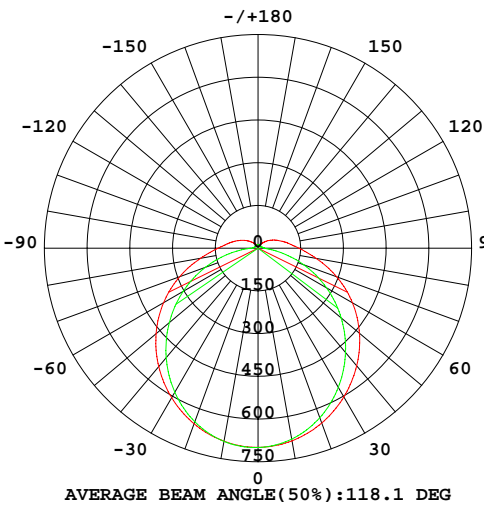


FORTIS LENTA EKO

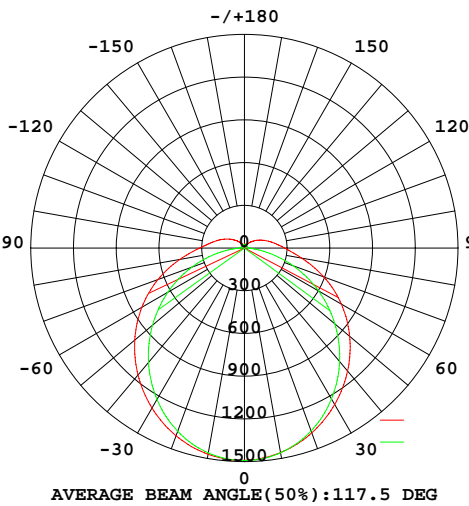
IP65 SMD LED BATTEN

LUMINOUS INTENSITY DISTRIBUTION FOR FORTIS PRO

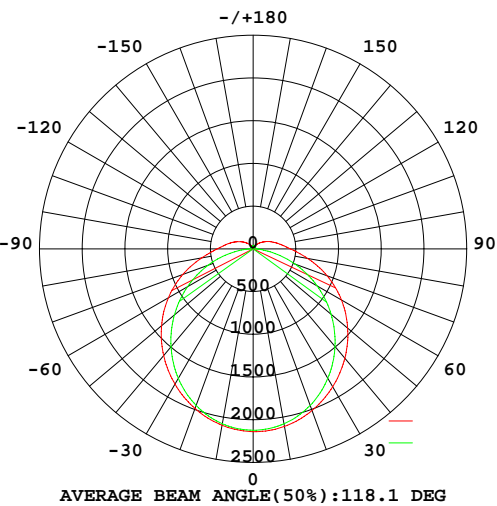
20W/100LM/W



40W/100LM/W



60W/100LM/W



Flux out:1432 lm

Height	Eavg, Emax	Angle:108.66deg	Diameter
3.281ft 1m	20.76,65.02fc 223.5,699.91lx		9.142ft 278.65cm
6.562ft 2m	5.190,16.26fc 55.87,175.01lx		18.28ft 557.31cm
9.843ft 3m	2.307,7.225fc 24.83,77.761lx		27.43ft 835.96cm
13.12ft 4m	1.298,4.064fc 13.97,43.741lx		36.57ft 1114.61cm
16.4ft 5m	0.8305,2.601fc 8.939,28.001lx		45.71ft 1393.27cm

Flux out:3045 lm

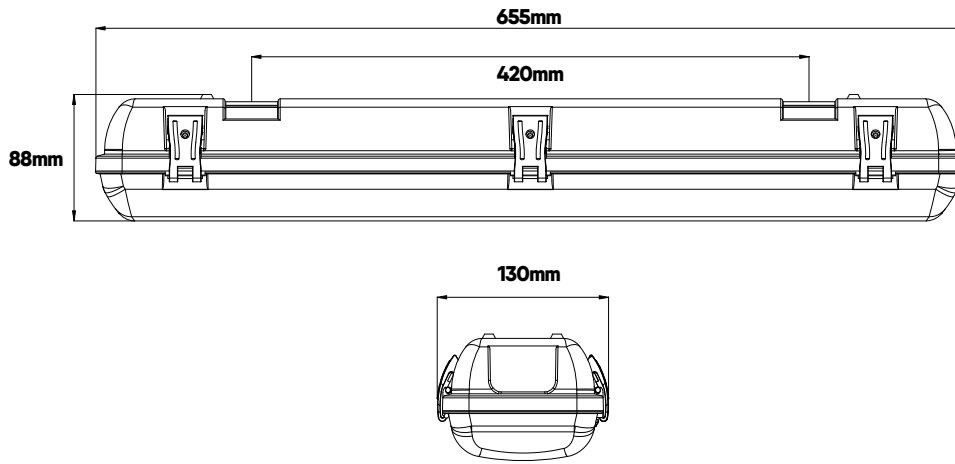
Height	Eavg, Emax	Angle:108.19deg	Diameter
3.281ft 1m	44.15,138.8fc 475.2,1494lx		9.063ft 276.25cm
6.562ft 2m	11.04,34.70fc 118.8,373.5lx		18.13ft 552.51cm
9.843ft 3m	4.905,15.42fc 52.80,166.0lx		27.19ft 828.76cm
13.12ft 4m	2.759,8.675fc 29.70,93.38lx		36.25ft 1105.02cm
16.4ft 5m	1.766,5.552fc 19.01,59.76lx		45.32ft 1381.27cm

Flux out:4357 lm

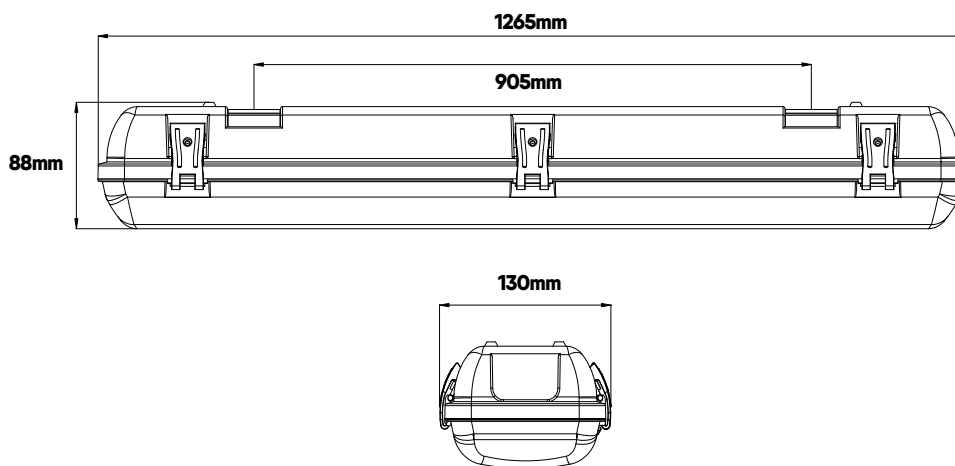
Height	Eavg, Emax	Angle:108.31deg	Diameter
3.281ft 1m	63.18,198.7fc 680.0,2139lx		9.083ft 276.86cm
6.562ft 2m	15.79,49.67fc 170.0,534.7lx		18.17ft 553.73cm
9.843ft 3m	7.019,22.08fc 75.56,237.6lx		27.25ft 830.59cm
13.12ft 4m	3.948,12.42fc 42.50,133.7lx		36.33ft 1107.46cm
16.4ft 5m	2.527,7.948fc 27.20,85.55lx		45.42ft 1384.32cm

DIMENSIONAL DRAWINGS

Fortis-LENTA-EKO-20W-600



Fortis-LENTA-EKO-40W-1200



Fortis-LENTA-EKO-60W-1500

