

ZETTA UGR

IP65 LED HIGHBAY RANGE

REPLACING TRADITIONAL METAL HALIDE AND MERCURY VAPOUR LAMPS



APPLICATIONS

Constant current input LED light with a power range from 100W to 200W, direct replacement for the energy consuming 200 to 400W Mercury vapour or Metal Halide lamps.

Emits a light beam in conventional cool white light, with a light beam angle of 65°. Ideal luminaire for all industrial, warehouse or covered spaces.

FEATURES & BENEFITS

- Low glare rating with UGR<19
- Quality internal **SOSEN** driver with 1.5m cable & plug
- IP65 and IK08 for tough environments
- 7 years extended warranty

	100W	120W	150W	200W
--	------	------	------	------

GENERAL

Model Number	HB-Z100W-UGR	HB-Z120W-UGR	HB-Z150W-UGR	HB-Z200W-UGR
Dimensions (mm)	388x196x130	388x196x152		388x207x192
Weight	6.3KG	6.7KG		7.3KG
Sail Area	N/A			
Category	Highbay			
Lifetime (L70)	Reported: >36,000 hrs		Calculated: Up to 142,000 hrs	
Ingress Protection	IP65			
Impact Protection	IK08			
Warranty	5 years or 7 years extended warranty			
Cable & Plug	1.5m AC Cable with 3 Pin AC Plug			
Operating Temperature	-20°C ~ 50°C			

OPTICAL

Beam Angle	65°			
Lumens	12,500lm	15,000lm	18,750lm	25,000lm
LED Type	SMD 3030			
No. of LED's	112	140	189	252
LED Colour Temp	5000K			
CRI	>70			

ELECTRICAL INPUT

Driver Type	Internal SOSEN Driver			
Input Voltage	100-240 VAC, 50/60 Hz			
Power Factor	>0.95			
Inrush Current	60A	65A		75A
Output Voltage	42Vdc			
Output Current (Max.)	2.2A	2.6A	3.3A	4.4A

COMPLIANCE



AS/NZS 60598.1
AS/NZS 60598.2.1



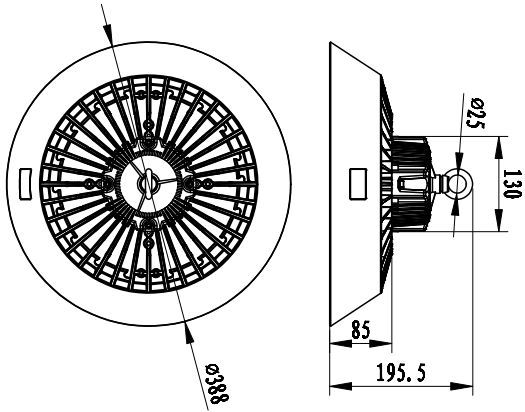
ISO 9001

ORDERING

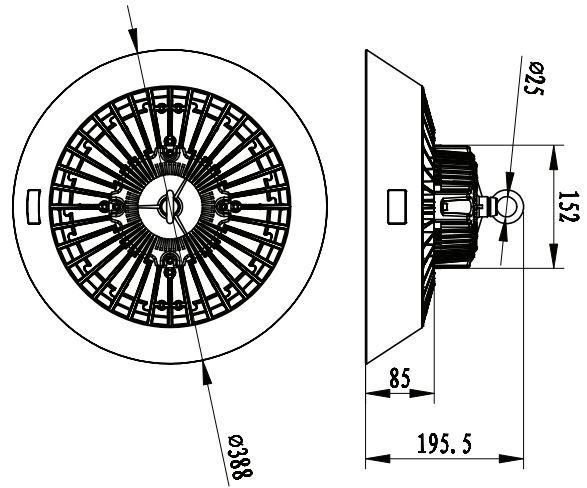
SKU	DESCRIPTION
9343907004666	Highbay ZETTA UGR 100W 5K 65°
9343907004667	Highbay ZETTA UGR 120W 5K 65°
9343907004668	Highbay ZETTA UGR 150W 5K 65°
9343907004669	Highbay ZETTA UGR 200W 5K 65°

DIMENSIONAL DRAWINGS

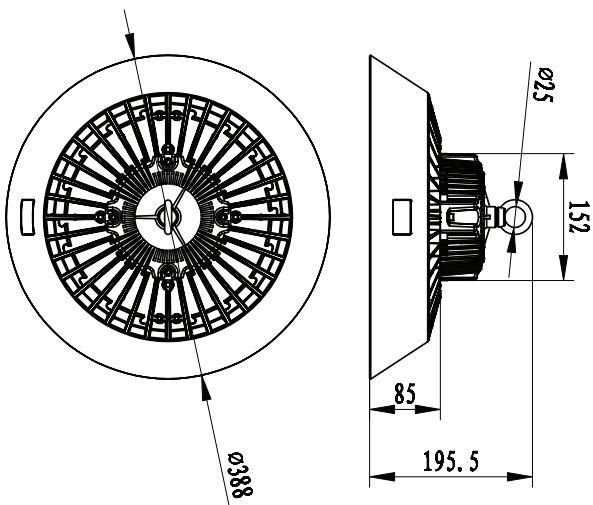
HB-Z100W-UGR



HB-Z120W-UGR



HB-Z150W-UGR



HB-Z200W-UGR

