

NIMMO SHU

AREA LIGHT RANGE

REPLACING TRADITIONAL FLOODLIGHTS



APPLICATIONS

This waterproof high mast NIMMO SHU LED area light is a direct replacement for energy-consuming traditional floodlights.

This high-powered area light is perfect for commercial applications such as grounds, stadiums, car parks, and any other outdoor areas.

FEATURES & BENEFITS

- Available in six different beam angles
- Asymmetric beam angle for anti-spill light purpose
- Ultra-high luminous efficacy of up to 160 lm/w
- 5 different wattages from 300 to 1500W
- Anti-Corrosion and Anti-Oxidation coating
- Detachable driver for easy installation and maintenance

	300W	600W	900W	1200W	1500W
--	------	------	------	-------	-------

GENERAL

Model Number	NIMMO-SHU-300W	NIMMO-SHU-600W	NIMMO-SHU-900W	NIMMO-SHU-1200W	NIMMO-SHU-1500W
Dimensions (mm)	175 x 561 x 275	390 x 636 x 448	575 x 636 x 448	760 x 636 x 448	948 x 636 x 356
Weight (Luminaire)	10.7KG	22.2KG	29.4KG	35.5KG	48.2KG
Category	Arealight / Floodlight				
Lifetime (L70)	Reported: >90,000 hrs & Calculated: Up to 90,000 hrs				
IP & IK Ratings	IP66 & IK08 (With Wireguard IK10)				
Warranty	5 years				
Cable & Plug	1.2m AC Cable				
Storage Temperature	-20°C ~ 70°C				
Operating Temperature	50°C				

OPTICAL

Beam Angle	Symmetric			Asymmetric	
	9°, 15°, 30°, 60°			110°x20°, 120°x30°	
Lumens (at 30°& 60°)	48000lm	96000lm	144000lm	192000lm	240000lm
LED Type	OSRAM /TIANDIAN				
No. of LED Chips	164	328	492	656	820
LED Colour Temp	5000K				
CRI	>70				

ELECTRICAL

Driver Type	SS-320VP-56B	SS-600VP-56B	SS-600VP-56B + SS-320VP-56B	2x SS-600VP-56B	2x SS-600VP-56B + SS-320VP-56B
Input Voltage	100-277 Vac, 50/60 Hz (Available in 415V option)				
Input Current (A)	1.3	2.61	3.91	5.22	6.52
Power Factor	0.95				
Output Voltage(V)	22-56Vdc				
Output Current(max)(A)	6.25 (For one module)				
Dimming	1-10V				
Sensor Capability	No				

COMPLIANCE



AS/NZS 60598.1
AS/NZS 60598.2.1 ISO 9001
AS/NZS 60598.2.5

SKU

ORDERING

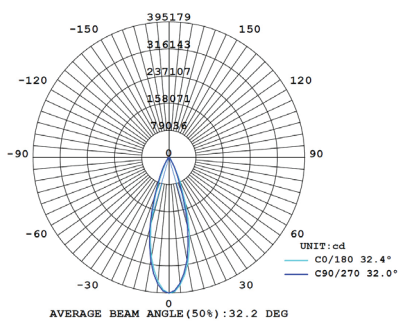
Arealight NIM Shu 300W 30° Sym	9343907004561	Arealight NIM Shu 300W 110°x20° ASym	9343907004571
Arealight NIM Shu 600W 30° Sym	9343907004562	Arealight NIM Shu 600W 110°x20° ASym	9343907004572
Arealight NIM Shu 900W 30° Sym	9343907004563	Arealight NIM Shu 900W 110°x20° ASym	9343907004573
Arealight NIM Shu 1200W 30° Sym	9343907004564	Arealight NIM Shu 1200W 110°x20° ASym	9343907004574
Arealight NIM Shu 1500W 30° Sym	9343907004565	Arealight NIM Shu 1500W 110°x20° ASym	9343907004575
Arealight NIM Shu 300W 60° Sym	9343907004566	Arealight NIM Shu 300W 120°x30° ASym	9343907004576
Arealight NIM Shu 600W 60° Sym	9343907004567	Arealight NIM Shu 600W 120°x30° ASym	9343907004577
Arealight NIM Shu 900W 60° Sym	9343907004568	Arealight NIM Shu 900W 120°x30° ASym	9343907004578
Arealight NIM Shu 1200W 60° Sym	9343907004569	Arealight NIM Shu 1200W 120°x30° ASym	9343907004579
Arealight NIM Shu 1500W 60° Sym	9343907004570	Arealight NIM Shu 1500W 120°x30° ASym	9343907004580

AREA LIGHTS

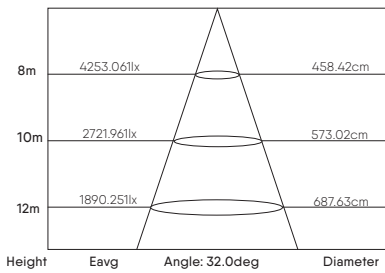
NIMMO SHU

LUMINOUS INTENSITY DISTRIBUTION

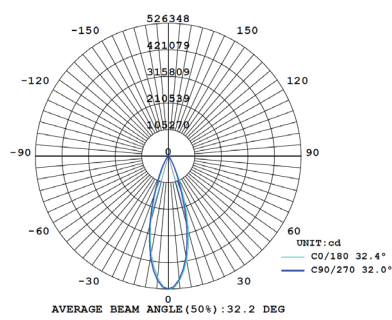
900W/ 160LM/W/30D



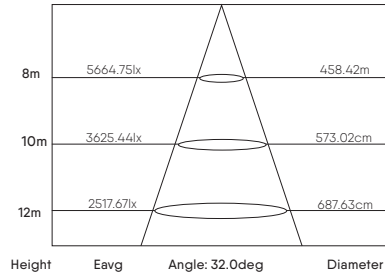
Total Flux 142189lm



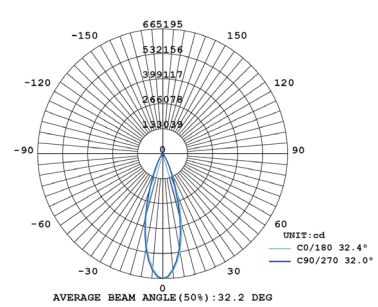
1200W/ 160LM/W/30D



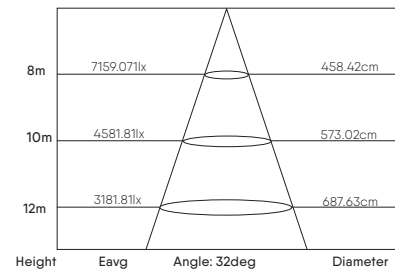
Total Flux 189385lm



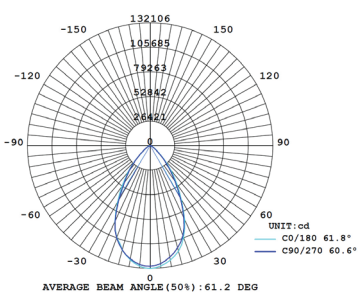
1500W/ 160LM/W/30D



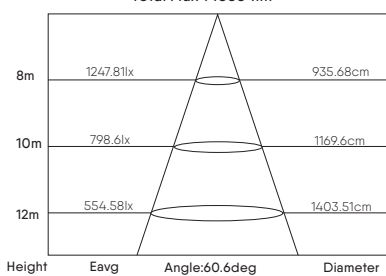
Total Flux 239343lm



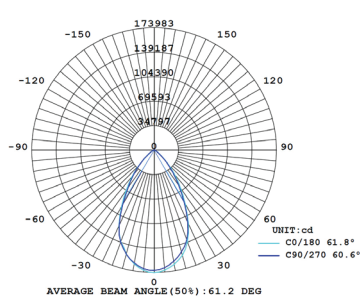
900W/ 160LM/W/60D



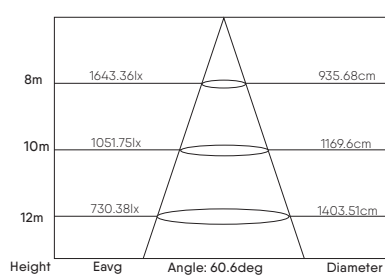
Total Flux 143564lm



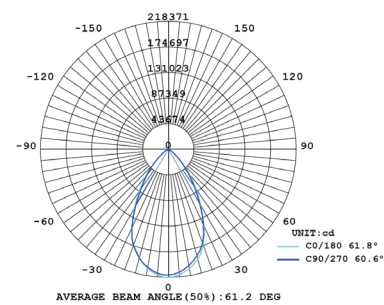
1200W/ 160LM/W/60D



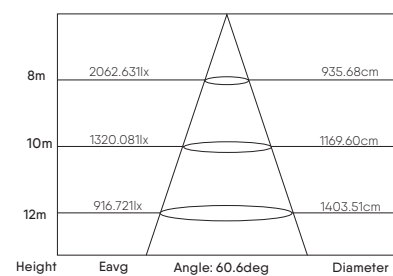
Total Flux 189074lm



1500W/ 10LM/W/60D

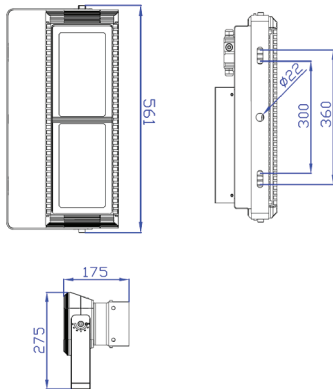


Total Flux 237312lm

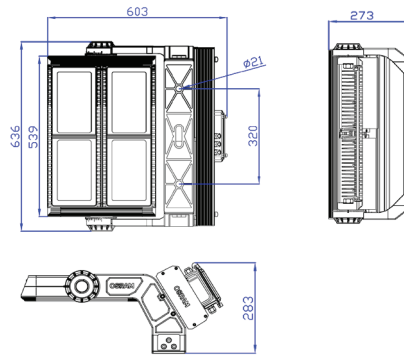


DIMENSIONAL DRAWINGS

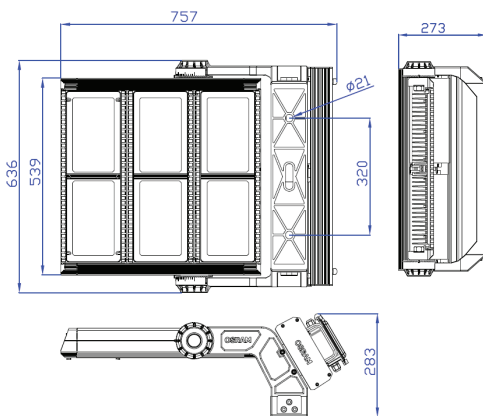
NIMMO-SHU-300W



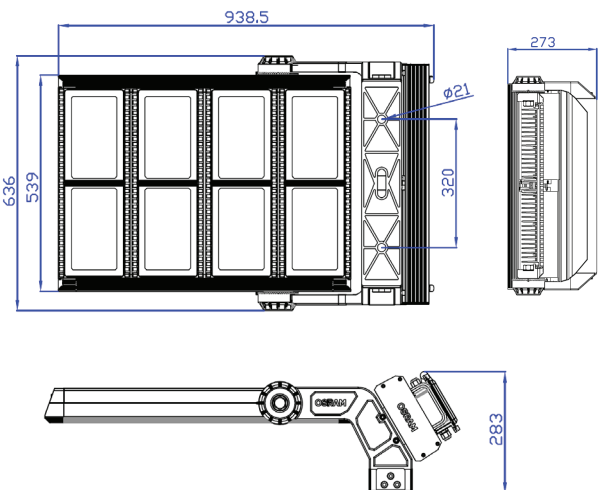
NIMMO-SHU-600W



NIMMO-SHU-900W



NIMMO-SHU-1200W



NIMMO-SHU-1500W

