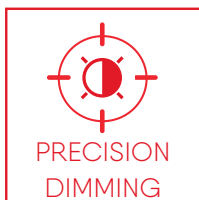


ZETTA

IP65 LED HIGHBAY RANGE

REPLACING TRADITIONAL METAL HALIDE AND MERCURY VAPOUR LAMPS



To see 360 degree rotations of this product visit littil.com.au

APPLICATIONS

Constant current input LED light with a power range from 100W to 200W, direct replacement for the energy consuming 200 to 400W Mercury vapour or Metal Halide lamps.

Emits a light beam in conventional cool white light, with a light beam spread between 50° and 120° depending on the lens plate choice. Ideal luminaire for all industrial, warehouse or covered spaces.

FEATURES & BENEFITS

- Optional remote control, motion & daylight sensing capabilities
- UGR<19 and food grade options available
- Quality internal **MEANWELL** driver with 1.5m cable & plug
- IP65 and IK08 for tough environments
- 7 years extended warranty

	100W	120W	150W	200W
--	------	------	------	------

GENERAL

Model Number	HB-Z100W-DMW	HB-Z120W-DMW	HB-Z150W-DMW	HB-Z200W-DMW
Dimensions (mm)	388x196x383			388x207x388
Weight	6.3KG	6.7KG		7.3KG
Sail Area	N/A			
Category	Highbay			
Lifetime (L70)	Reported: >36,000 hrs		Calculated: Up to 142,000 hrs	
Ingress Protection	IP65			
Impact Protection	IK08			
Warranty	5 years or 7 years extended warranty			
Cable & Plug	1.5m AC Cable with 3 Pin AC Plug			
Operating Temperature	-20°C ~ 50°C			

OPTICAL

Beam Angle	50° - 90° - 120°			
Lumens	14,000lm	16,800lm	21,000lm	28,000lm
LED Type	Nichia NF2L757GR			
No. of LED's	112	140	189	252
LED Colour Temp	5000K			
CRI	>70			

ELECTRICAL INPUT

Driver Type	Internal MEANWELL 1-10V Dimmable Driver			
Input Voltage	100-240 VAC, 50/60 Hz			
Power Factor	>0.95			
Inrush Current	60A	65A		75A
Output Voltage	42Vdc			
Output Current (Max.)	2.2A	2.6A	3.3A	4.4A
Dimming	1-10V Dimmable			
Sensor Capability	Dimmable bolt-on sensor with remote control capability			

COMPLIANCE



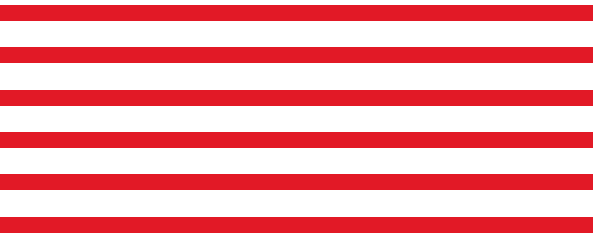
AS/NZS 60598.1
AS/NZS 60598.2.1



ISO 9001

ORDERING

SKU	DESCRIPTION	SKU	DESCRIPTION
9343907000950	Highbay ZETTA 100W 5K DIM 50°	9343907000956	Highbay ZETTA 150W 5K DIM 50°
9343907000951	Highbay ZETTA 100W 5K DIM 90°	9343907000957	Highbay ZETTA 150W 5K DIM 90°
9343907000952	Highbay ZETTA 100W 5K DIM 120°	9343907000958	Highbay ZETTA 150W 5K DIM 120°
9343907000953	Highbay ZETTA 120W 5K DIM 50°	9343907000959	Highbay ZETTA 200W 5K DIM 50°
9343907000954	Highbay ZETTA 120W 5K DIM 90°	9343907000960	Highbay ZETTA 200W 5K DIM 90°
9343907000955	Highbay ZETTA 120W 5K DIM 120°	9343907000961	Highbay ZETTA 200W 5K DIM 120°



ZETTA

IP65 LED HIGHBAY RANGE

ACCESSORIES

PC REFLECTOR

BOLT ON PRISMATIC REFLECTOR



SKU:9343907000863

FEATURES & BENEFITS

- Ultimate low glare and uniform light diffusion
- Easy to assemble

INTELLISENSE KIT

BOLT ON INTELLISENSE KIT



SKU:9343907000890

FEATURES & BENEFITS

- Daylight Switching maximises ambient light
- Motion sensing and dynamic dimming
- Adds up to 80% efficiency to LED Highbays
- Increases your security by illuminating any out of hours movement

REMOTE CONTROL

FOR REPROGRAMMING INTELLISENSE



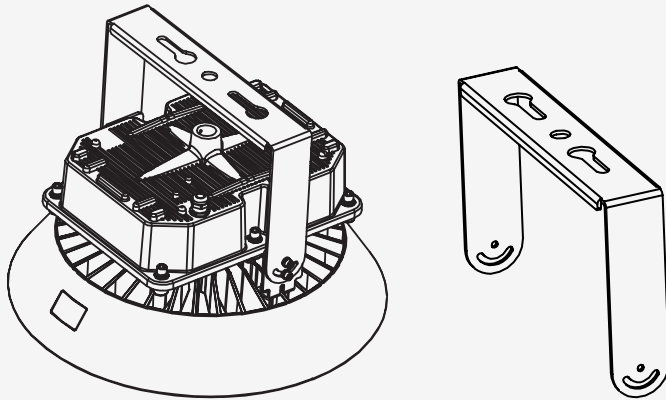
SKU:9343907000891

FEATURES & BENEFITS

- Easily change & update sensor settings
- Manual remote control of highbays
- Easily reset to factory settings

BRACKET

FOR HORIZONTAL OR VERTICAL SURFACE MOUNT INSTALLATIONS

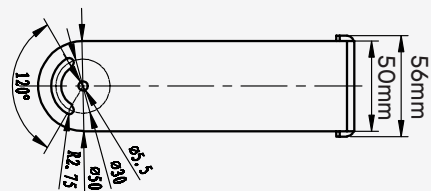
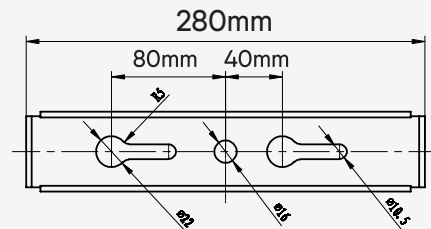
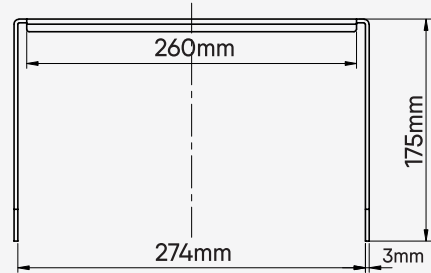


SKU:9343907000888

FEATURES & BENEFITS

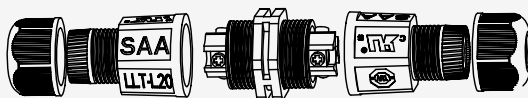
- High strength alloy
- Thick powder coating for outdoor use
- Adjustable -45° to $+45^{\circ}$
- Easy to assemble (bolt on)

DIMENSIONS



IP65 CABLE CONNECTOR

FOR ENVIRONMENTS REQUIRING IP65 RATINGS

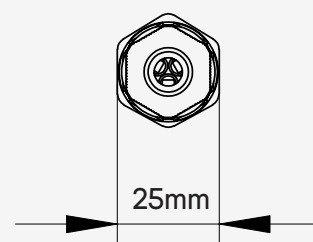
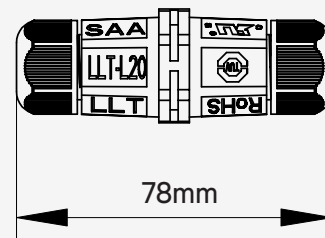


SKU:9343907000889

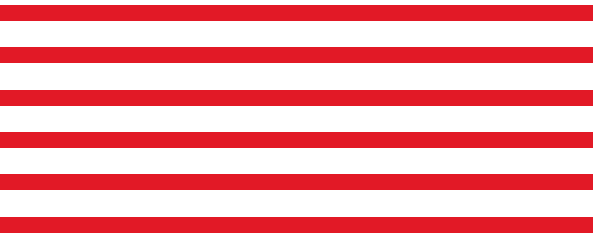
FEATURES & BENEFITS

- Screw terminals for easy assembly on site
- IP65 rated for protection against dust and water

DIMENSIONS



HIGHBAY

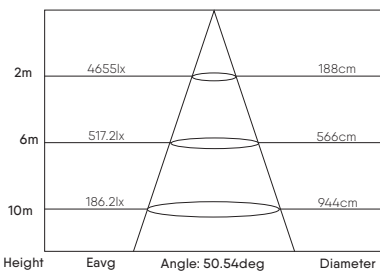
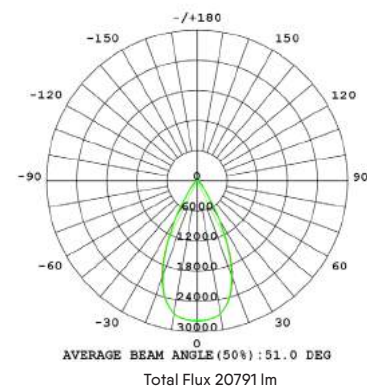


ZETTA IP65 LED HIGHBAY RANGE

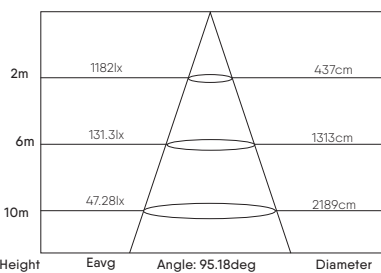
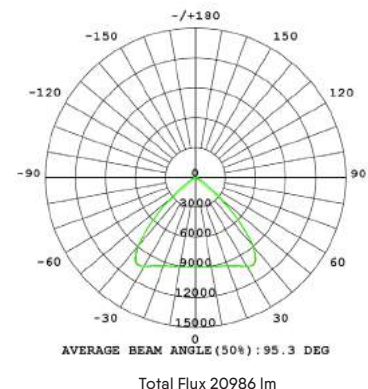
LUMINOUS INTENSITY DISTRIBUTION FOR 150W HIGHBAY

STANDARD LENS

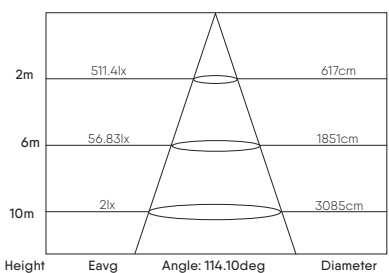
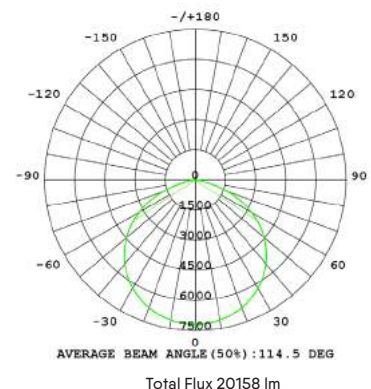
50°/UGR<23/139LM/W



90°/UGR<30/140LM/W

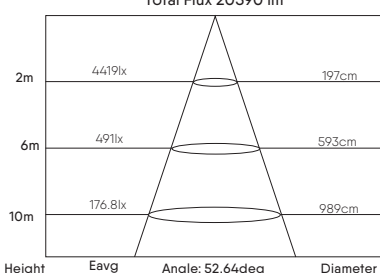
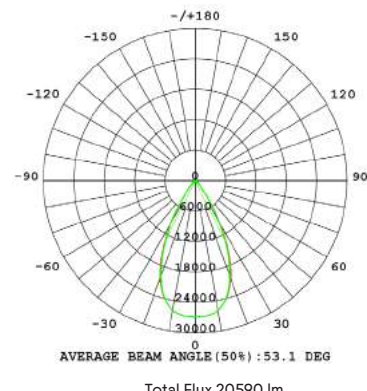


120°/UGR<35/136LM/W

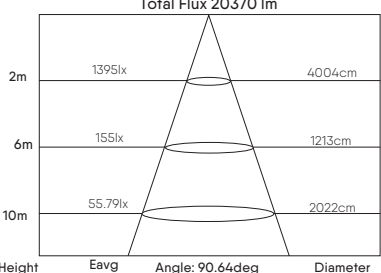
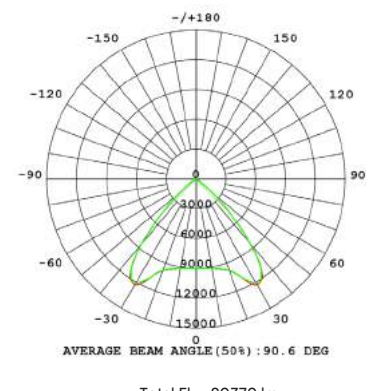


WITH PRISMATIC DIFFUSER

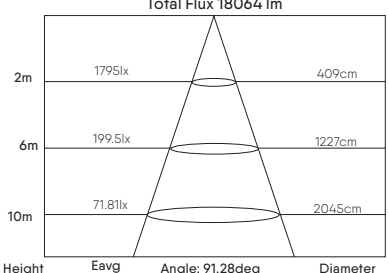
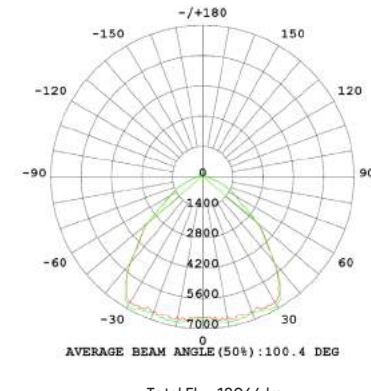
50°/UGR<18/139LM/W



90°/UGR<25/137LM/W

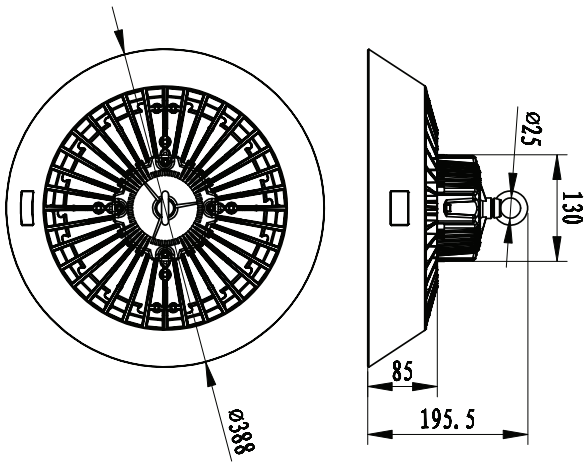


120°/UGR<29/123LM/W

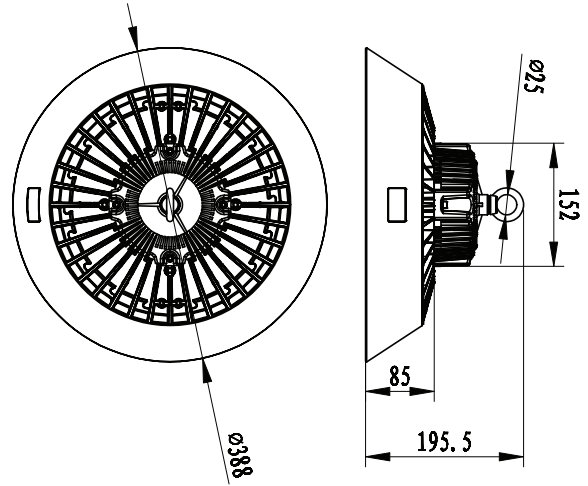


DIMENSIONAL DRAWINGS

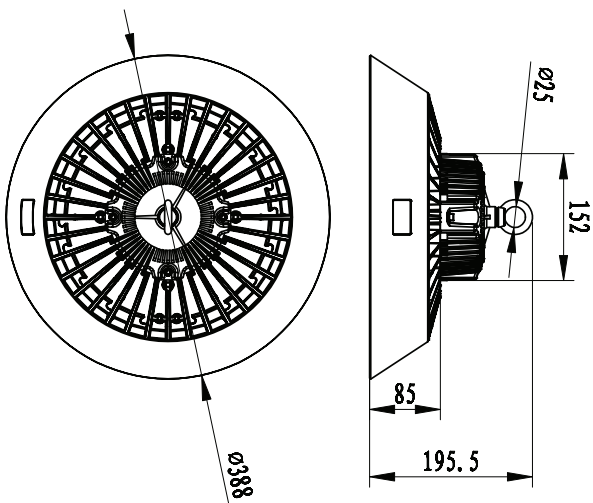
HB-Z100W-DMW



HB-Z120W-DMW



HB-Z150W-DMW



HB-Z200W-DMW

